



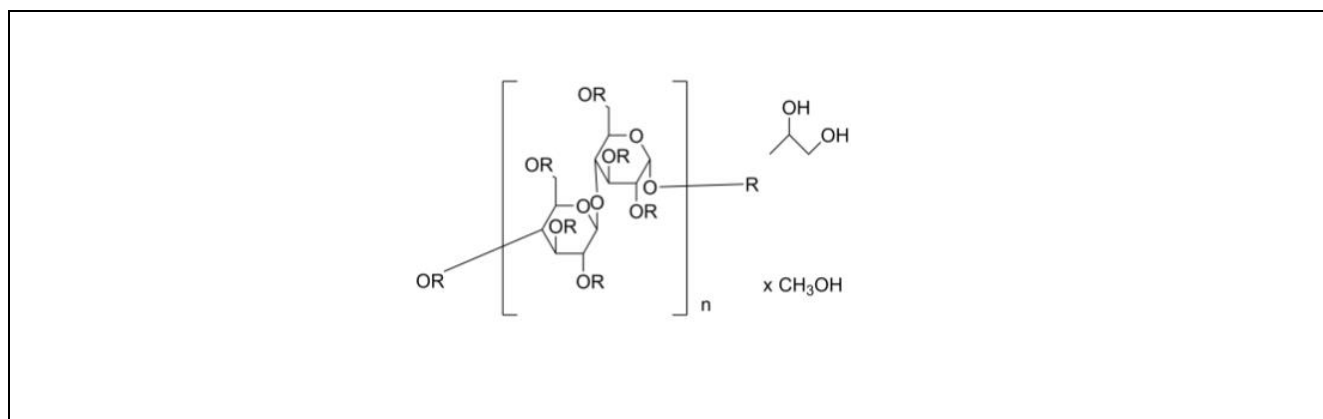
## Certificate of Analysis

<b>Product Name</b>	methocel E4M premium (Hypromellose)
<b>Catalog No.</b>	V2179
<b>Batch No.</b>	V217901

### 1. Physical and Chemical Properties

<b>Appearance</b>	Powder
<b>Molecular Formula</b>	
<b>Molecular Weight</b>	
<b>II 型,粘度</b>	100mPa.s
<b>CAS No.</b>	9004-65-3
<b>Production Date</b>	10/11/2021

### 2. Structure



### 3. Storage Condition

<b>Short term storage (weeks)</b>	0 - 4 °C under dry condition for six weeks
<b>Long term storage (months)</b>	-20 °C under dry condition for two years

Products are for research use only • Not for human or veterinary use